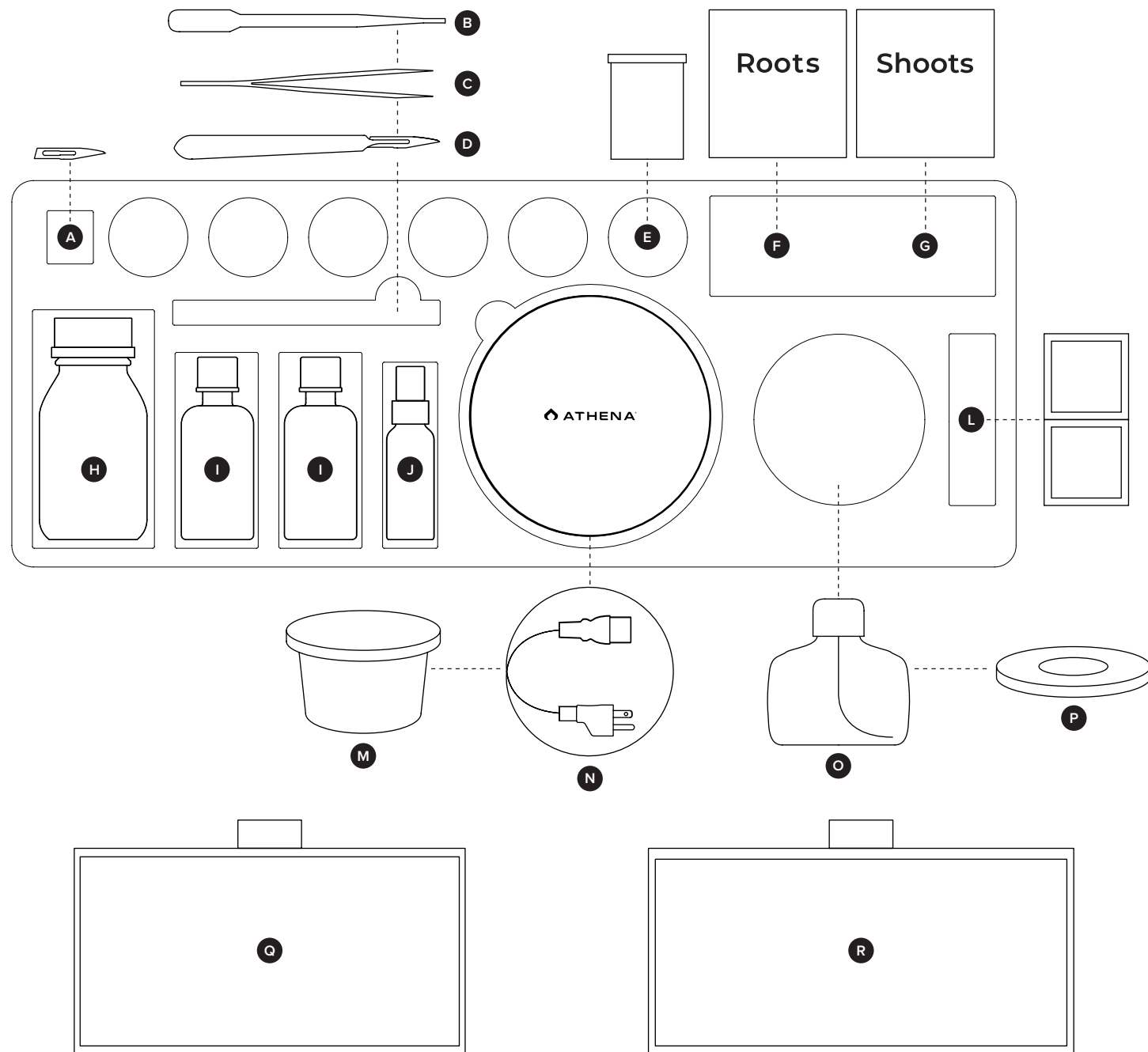


7. Accessories



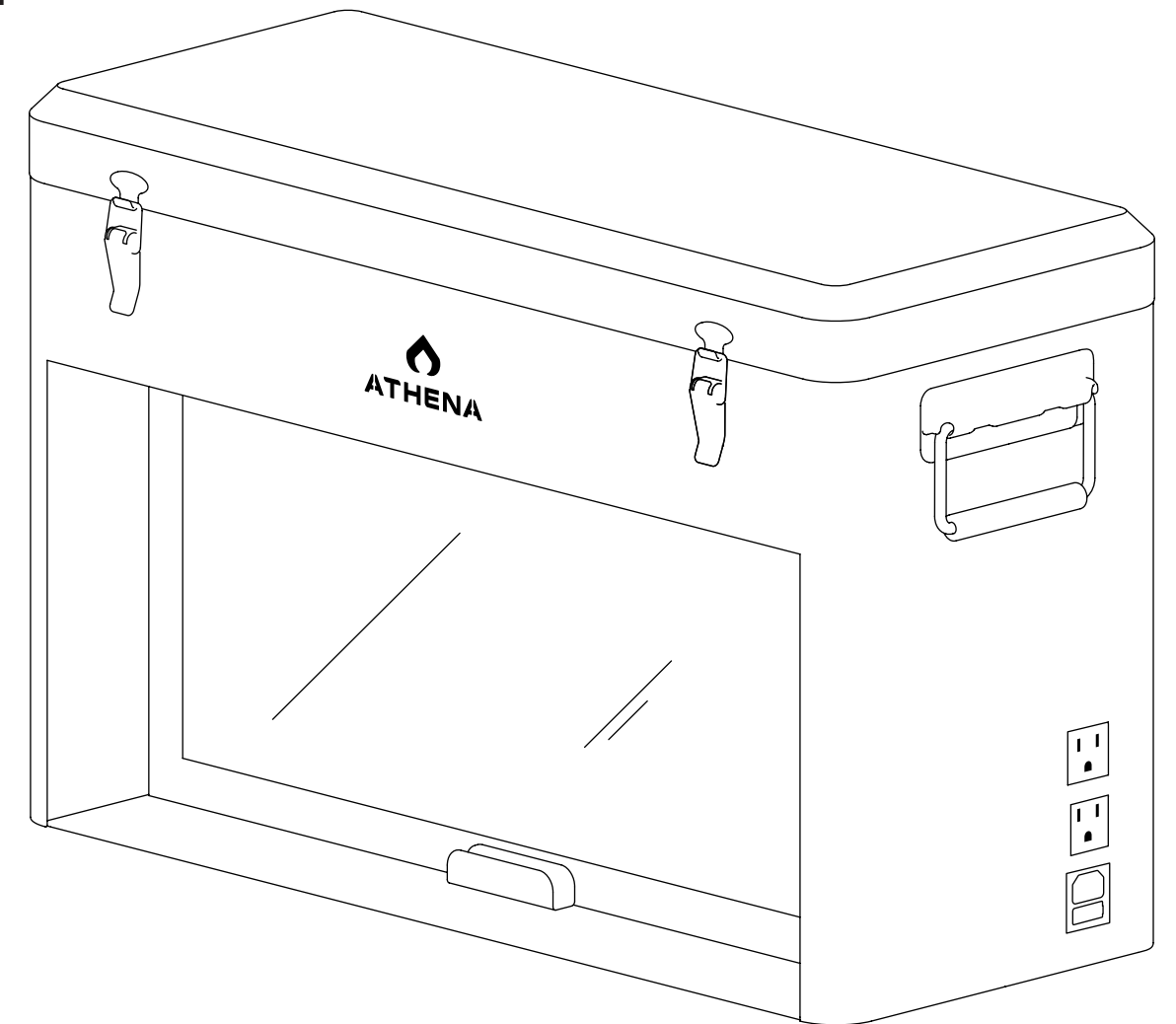
- A** Scalpel Blades (50)
- B** 3 mL Pipettes (3)
- C** Forceps (1)
- D** Scalpel Handle (1)
- E** Culture Vessels (6)
- F** 10-Pack Box Roots
- G** 10-Pack Box Shoots
- H** Mixing Vessel (1)
- I** Chemical Bottles (2)
- J** Spray Bottle (1)
- K** Working Surface (1)
- L** Alcohol Swabs (30)
- M** Utility Vessels (3)
- N** Power Cord (1)
- O** Alcohol Burner (1)
- P** Utility Vessel Lids (3)
- Q** Pre-Filter (1)
- R** HEPA Filter (1)



Flow Hood

Tissue Culture Flow Hood + Accessories

User Manual



1-YEAR
MANUFACTURER
WARRANTY



READ ALL INSTRUCTIONS BEFORE USING, OR SERVICING, THIS EQUIPMENT. KEEP THIS MANUAL IN A LOCATION THAT IS READILY AVAILABLE TO USERS AND SERVICE TECHNICIANS.

WARNING: THIS PRODUCT CONTAINS ACCESSORIES WHICH MAY CAUSE INJURY OR HARM IF USED IMPROPERLY.

English (Original Instructions)

1. Overview



INTENDED USE:

The Athena Flow Hood and its accessories are intended to be used for the purposes of facilitating plant tissue culture. Designed for professional use, the product is not intended to be used by individuals with reduced sensory, physical, or mental capabilities, or by individuals with lack of experience or knowledge. Not suitable for any other purpose than defined herein.

IMPORTANT SAFETY INSTRUCTIONS:

When using an electrical furnishing, basic precautions should always be followed, including the following: Read all instructions before using (this furnishing).
DANGER - To reduce the risk of electric shock: Unplug the power plug before cleaning, wipe the dust on surface with damp cloth when cleaning. Be careful not to let water drops into the internal parts, or loosen the connector.

⚠️ DANGER!

Read manual before use, and use only as directed. Improper use may cause injury or other damage. Keep appliances and cord away from children. Never drape cord over edge of counter, never use power outlet below counter, and never use with an extension cord. To reduce the risk of electric shock, fire, or injury, plug the power cord into a grounded electrical outlet that is easily accessible. Disconnect the power before cleaning, performing any maintenance, or replacing the filter. To ensure proper operation of the Flow Hood, the filter should be replaced every 3 months of regular use, when contamination is evident, or when airflow is noticeably reduced. Failure to do so may result in decreased product performance or damage to the unit. Dispose of used filters in accordance with local ordinances and regulations. The operating fans present a risk of injury by contact. Ensure to keep hands clear. Note that the fan blades may continue to rotate for some time after operation ceases. Confirm that rotating fan blades have come to a complete stop before beginning routine maintenance work, such as replacing the HEPA filter or fuses. Failure to do so may result in bodily injury. Visually inspect the unit and cord prior use, to check for loose parts or damage. Do not use if damaged.

⚠️ WARNING:

1. Keep a clean, unobstructed area behind the Flow Hood.
2. Close the filter door when not in use.
3. Do not expose to rain or snow.
4. Max load for both outlets may not exceed 10 amps.
5. Use of a power supply or charger not recommended or sold by the product manufacturer may result in risk of fire or injury.
6. Store flow hood in a cool, dry place.
7. Keep in an upright position while transporting.
8. Do not place where ambient room air vents may disrupt the Flow Hood air flow.
9. Not for use in high temperature or humidity environments.
10. Not for use in high wind areas; always shelter the Flow Hood for maximum effectiveness.
11. The product doesn't provide with a work surface. Secondary working surface shall be provided which is able to support an additional 33 lbs and 0.7m³ working area.
12. The open flame of the alcohol burner presents a burn and fire hazard. Never leave the alcohol burner unattended while it is lit. When using, ensure a fire extinguisher is accessible.
13. Alcohol burners produce small amounts of carbon monoxide and other toxic combustion by-products. Use only in a well-ventilated area.
14. Use only ethyl alcohol or isopropyl alcohol (with an alcohol content of 90% or higher) with the alcohol burner. Use of other fuels may result in serious injury. Read and follow the safety instructions on the alcohol container.
15. The alcohol burner may become hot during use and cause burns. Do not touch any part of the burner with your hands until it has fully cooled.
16. The scalpel and its blades are sharp and present a danger of serious injuries and severe bleeding. Do not touch the blades on the sharp edges. Store in a safe and dry area, away from children.
17. Prior to disposing of used blades, wrap in a protective coating to prevent injury.

CLEANING:

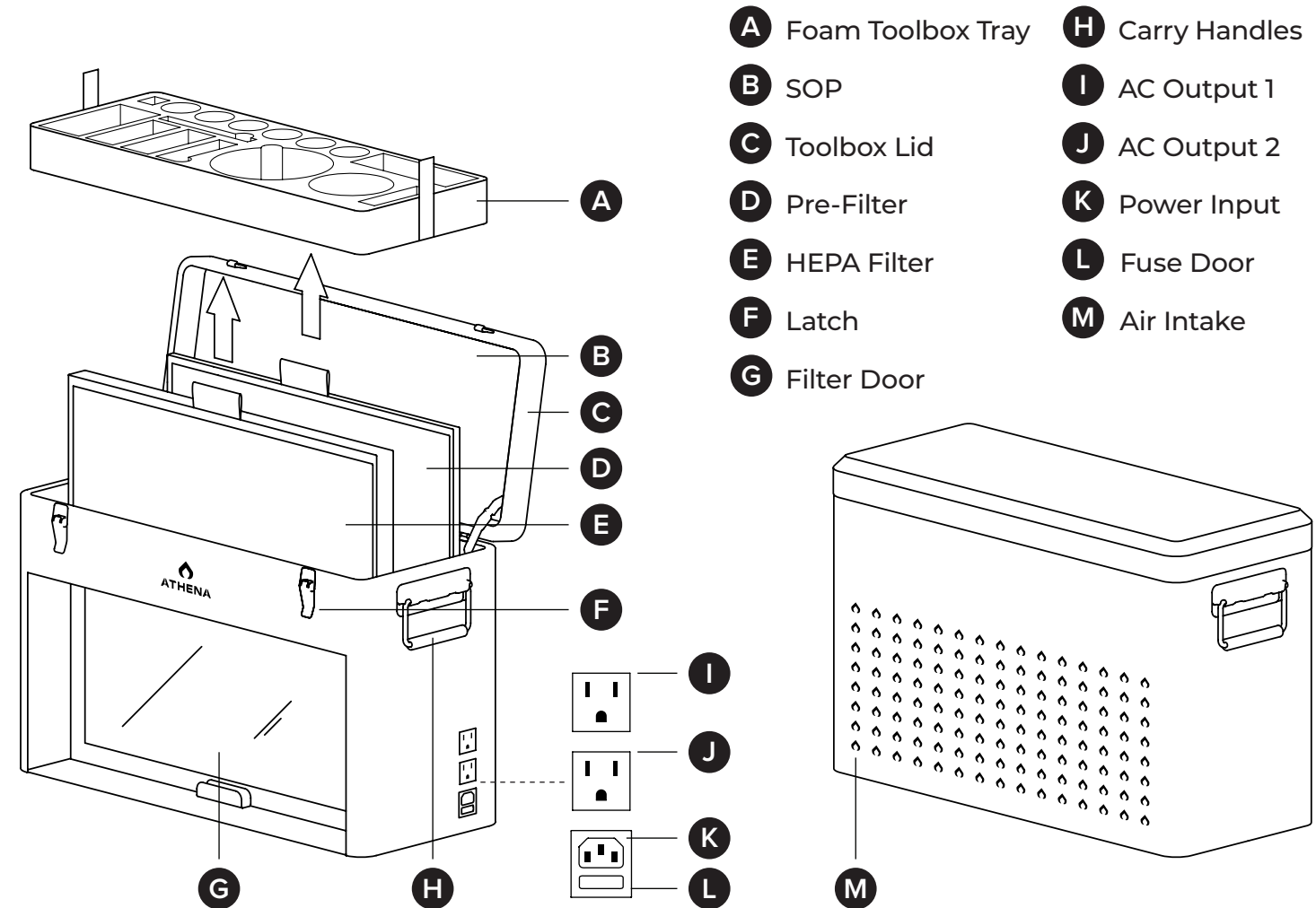
Wipe with microfiber cloth and water.

SAVE THESE INSTRUCTIONS

2. Overview



HEPA Filter	True H13 Captures particles greater than 85% of 0.5µm
Pre-Filter	G3 Captures particles greater than 85% of 0.5µm
Filter Life	3 Months of regular use
Average Face Velocity	0.5 M/s / 98 fpm
Working Area	2.58ft ³ / 0.7m ³
Power	85 - 264VAC 50w 1.3A
AC Output	125V 15A (max load for both outlets may not exceed 10 amps)
AC Output	125V 15A (max load for both outlets may not exceed 10 amps)
Dimensions (L x W x H)	9.80" x 24" x 15.7" / 250mm x 609mm x 398mm
Weight	33 lbs / 15 kg
Power Cord	125V 15A NEMA 5-15P / C13



3. Instructions



⚠️ WARNING:

- Place the Flow Hood on a flat, stable surface.
Note: Allow a minimum of 4" between the wall and the rear air intake vents (**FIG A**).
- Plug in the power cord to the POWER INPUT connector.
Note: Flow Hood and Autoclave power cords are the same, can use with either product.
- Open the filter cover to power on the fans and LED lighting (**FIG B**).
Note: Close the filter cover when not in use.
- Open each latch to unlock and open the toolbox lid. Rotate until the hinges stop (**FIG C**).
- Follow the procedure printed on the toolbox lid to begin.

⚠️ **WARNING:** Unplug the power cord before doing any maintenance.

FILTER MAINTENANCE:

Both the pre-filter and the HEPA filter should be replaced every 3 months of regular use, when contamination is evident, or when airflow is noticeably reduced.

- Open the toolbox lid.
- Remove the foam toolbox tray by lifting up the straps on each side (**FIG D**).
- Pull out the air filters using the tab placed on top (**FIG E**).
- Replace with new filters ensuring they face the correct direction per the tab's location.
- Replace the filter maintenance card that came with the replacement filter packaging. Record the date the filters were replaced (**FIG F**).
- Ensure the vent intake on the rear of the flow hood is kept clean.

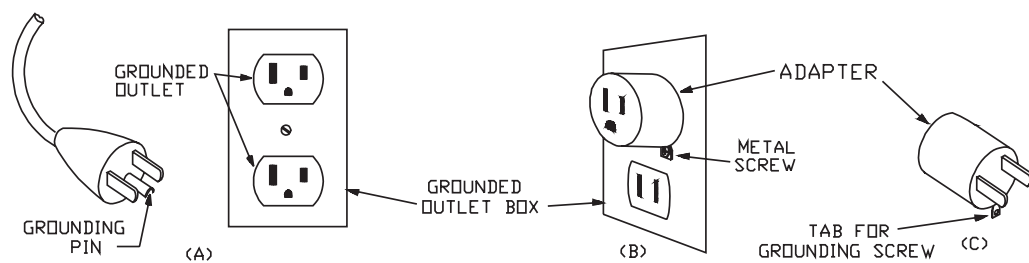
FAN MAINTENANCE:

There are four fans located between the two air filters. These fans should be inspected and cleaned during each filter change. Replacement fans are also available.

- Remove the front HEPA air filter for access to the fan compartment (**FIG G**).
- Use a Phillips head screwdriver to remove the two screws that hold the wiring plate along the bottom of the fans (**FIG H**).

GROUNDING INSTRUCTIONS:

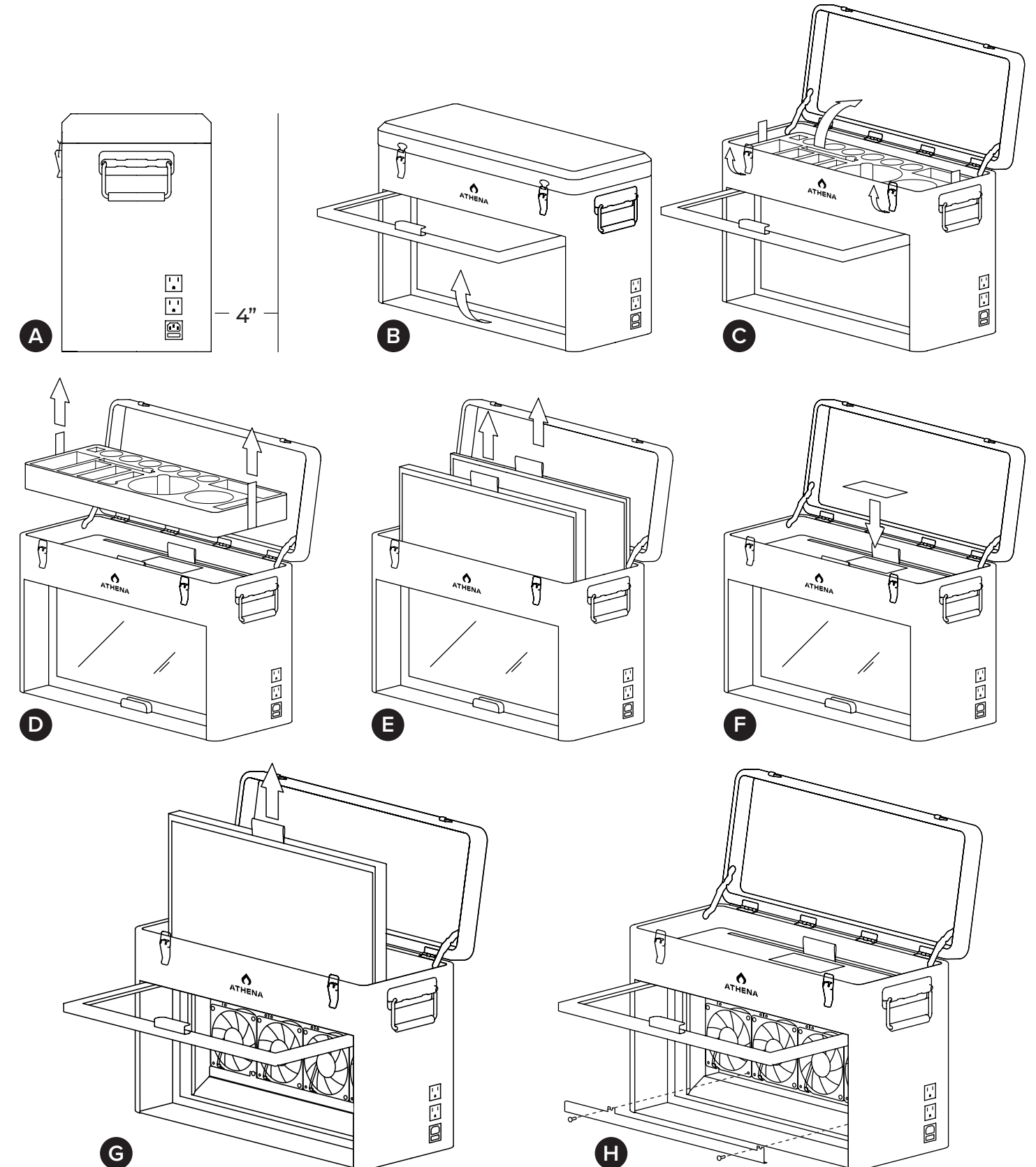
This product is for use on a nominal 120-volt circuit and has a grounding plug that looks like the plug illustrated in sketch A (Fig 1). Make sure that the product is connected to an outlet having the same configuration as the plug. No adapter should be used with this product.



AA200

Athena® Flow Hood

4. Instructions



ATHENA®

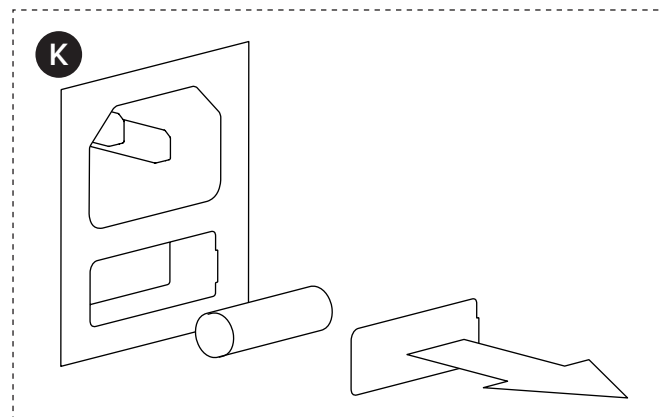
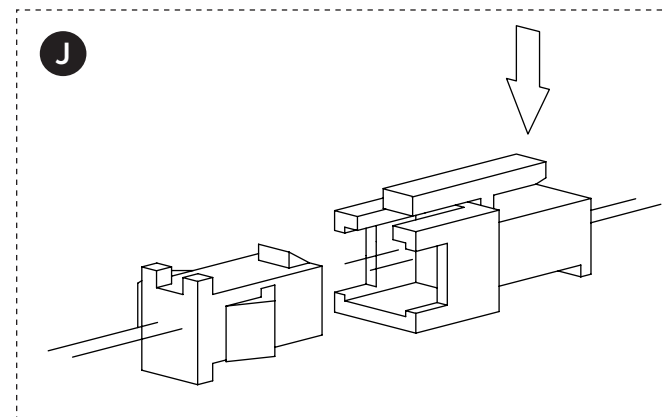
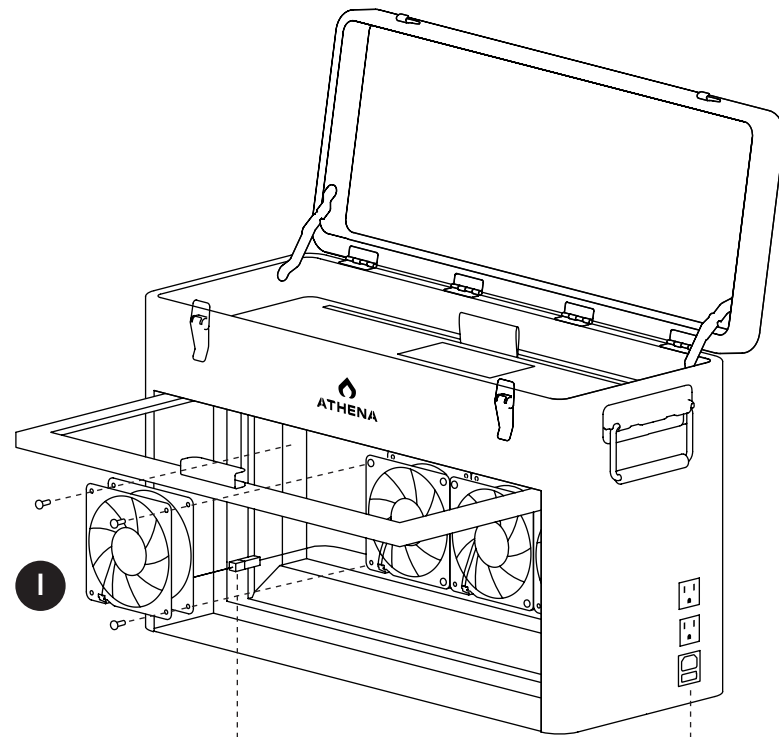
5. Instructions



3. Use a Phillips head screwdriver to unscrew the fan (**FIG I**).
4. Gently remove the fan and unplug the connectors by pushing down on the clip (**FIG J**).
Note: Keep the wiring harness in place to prevent damage.
5. The fan may be cleaned of any dust and debris build up or completely replaced.
6. Plug in the connector and reinstall the screws for the fan.
7. Repeat this process for each fan.

FUSE REPLACEMENT:

1. Use a small flathead screwdriver to gently pry off the fuse door and remove the fuse (**FIG K**).
2. Replace the fuse with a 5 x 20mm 10A fuse.
3. Snap the fuse door back on.



6. Warranty + Support



Warranty; Limitations. Athena warrants that the Autoclave and replacement parts (“Goods”) shall be free from defects in material and workmanship under proper and normal and recommended use for a period of 1 year from the date of shipment. Goods shall be considered defective only if a defect exists that materially impairs the value of the Goods to Customer and does not comply with Athena’s specifications (or, if none, does not comply with normal industry tolerances or standards). Goods shall not be defective if the Goods comply with Customer’s instructions or if the Goods have been modified, have been subject to misuse or neglect or if the Goods are not operated in a typical fashion. In accordance with the terms of this limited warranty (“Warranty”), Athena will, at its option, either replace any such defective Goods or parts thereof or issue Customer a credit for the purchase price of the defective Goods, provided that written notice of the defect is received by Athena within 30 days of the appearance of such defect and within the 1-year warranty period. If notice is not given by the required deadlines set forth in this paragraph, any claim for breach of warranty is waived and Athena shall not be liable. Upon receipt of notice of a possible defect in the Goods, Athena shall issue instructions for their disposition. No Goods shall be returned to Athena without its prior consent. Transportation charges for return and replacement under the Warranty will be borne by Athena if the Goods are defective. Under no circumstances will Athena’s liability exceed the purchase price of the defective Goods.

DISCLAIMER OF WARRANTIES: To the extent consistent with applicable law, Athena Ag, Inc. makes no other warranties, express or implied, of merchantability or of fitness for a particular purpose or otherwise, that extend beyond the statements made on the product’s label. No agent of Athena Ag, Inc. is authorized to make any warranties beyond those contained herein or to modify the warranties contained herein. To the extent consistent with applicable law, Athena Ag, Inc. disclaims any liability whatsoever for special, incidental, or consequential damages resulting from the use or handling of this product. LIMITATIONS OF LIABILITY: To the extent consistent with applicable law, the exclusive remedy of the user or buyer for any and all losses, injuries, or damages resulting from the use or handling of this product, whether in contract, warranty, tort, negligence, strict liability or otherwise, shall not exceed the purchase price paid, or at Athena Ag Inc.’s election, the replacement of product.

TC KIT MANUAL



	WARNING
	California Proposition 65 <small>WARNING: This product can expose you to chemicals including Chromium (hexavalent compound) and Nickel (metallic), which are known to the State of California to cause cancer, birth defects, or other reproductive harm. For more information: www.P65warnings.ca.gov</small>

FLOW HOOD TROUBLESHOOTING:

1. The LED light turns on but fans do not turn on.
 - Ensure the fan connectors are attached (See Fan Maintenance).
 - Replace any malfunctioning fan.
2. The fans turn on but the LED light does not turn on.
 - Remove the foam tool molding.
 - Use a Phillips head screwdriver to remove the four screws at each corner of the bottom cover.
 - Remove the bottom cover from the toolbox.
 - Ensure the light connector is attached to the power cord.
3. The Flow Hood LED light and fans do not turn on.
 - Ensure the source of power is adequate.
 - Test Autoclave power cord on the Flow Hood. They use the same power cord.

For technical support and troubleshooting please call or email:

(844) 333-1818

support@athenaag.com

www.AthenaAg.com

Athena® Flow Hood
TC-HOOD

